

RackEnd Guardrail



Made from an exclusive impact absorbent polymer, **A-SAFE's** RackEnd Guardrail protects racking at the end of aisles, where impacts from workplace vehicles are most frequent.

IMPACTS DISSIPATED

The polymer-based RackEnd Guardrail is tough, resilient and able to flex on impact from workplace vehicles, absorbing the forces and reforming to its original shape.

ULTRA-LOW MAINTENANCE

Non-scratch, non-corrosive and with no need for repainting, the impact absorbing qualities of the barrier mean floors will not require repair after impacts.

DEFLECTIVE QUALITIES

A cylindrical design helps deflect impacts, dissipating forces and protecting the rack legging.

QUALITY & CONFIDENCE

Tested and independently verified by TÜV, all **A-SAFE** barriers come with the reassurance of buying the best possible products from the global industry leaders.



“ We have recently installed rack end protectors at our sequencing centre. This is as a result of continued damage and ineffectiveness of steel corner protection. The barriers were both easy to install, and enhance the appearance of the factory. Their robust construction provides excellent protection for the racking, and subsequently reduces plant maintenance cost. Additionally, with no paint to scratch and no chance of corrosion, these barriers continue to look as smart as when first installed.

Plastic Omnium Automotive LTD, Facilities Manager

PROTECTING...

PEOPLE, PROPERTY, PROFITS AND PERFORMANCE

Authorised reseller



RackEnd Guardrail

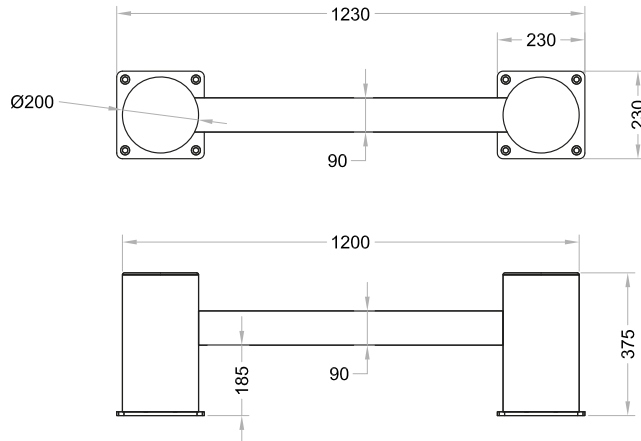


SPECIFICATIONS

Angle of impact		90°
Tested impact energy (Joules)		800
Equivalent vehicle weight (kg)		2000
Equivalent vehicle speed (km/h)		3.2
Material Properties		
Temperature		-15°C to +50°C
MEMAPLEX		
Temperature		-40°C to +30°C
MEMAPLEX		
Chemical Resistance		Excellent - ISO / TR 10358
Fire Rating		HB / F
Food Contact		Yes
Toxicity		None
Conductivity		No
Environment		
CO ₂ /		27.38
Recyclability		100%

Terms and conditions apply

DIMENSIONS



All dimensions in mm

VEHICLE SUITABILITY

 1,500 6.0 mph @ 90°	 2,080 5.0 mph @ 90°	 2,350 4.7 mph @ 90°
 2,650 4.5 mph @ 90°	 3,500 3.9 mph @ 90°	 3,560 3.9 mph @ 90°
 3,570 3.9 mph @ 90°	 3,650 3.8 mph @ 90°	 8,250 2.5 mph @ 90°
 8,730 2.4 mph @ 90°	 10,000 2.3 mph @ 90°	 13,050 2.0 mph @ 90°
 24,000 4.7 mph @ 90°	 36,000 1.2 mph @ 90°	

Note: These are guideline figures. Please refer to full technical information for details.

COMPONENTS



See RackEnd Guardrail installation video at:

<https://www.youtube.com/watch?v=5ww-N1UNtzI>



Authorised reseller address



Unit 8 Easter Court, Europa Boulevard, Westbrook
Warrington, Cheshire WA5 7ZB
T: 01925 715761 E: info@warehouse-partners.co.uk
W: warehouse-partners.co.uk