

Pedestrian Guardrail



A-SAFE's Pedestrian Guardrail will guide pedestrians and vehicles around a facility and offer segregation between vehicle routes and pedestrian walkways.

QUALITY & CONFIDENCE

Tested and independently verified by TÜV, all **A-SAFE** barriers come with the reassurance of buying the best possible products from the global industry leaders.

ULTRA-LOW MAINTENANCE

Non-scratch, non-corrosive and with no need for repainting, **A-SAFE** barriers create huge maintenance savings and offer a permanent return on investment.

FACILITIES ORGANISED

A-SAFE's Pedestrian Guardrail will organise and streamline a facility, delineating pedestrian zones from vehicle routes.

HIGHLY VISIBLE

Functioning as a guide, the Pedestrian Guardrail's visual prominence makes prevention of accidents a priority.



“ We used 50m of Pedestrian Guardrail to safeguard the mezzanine floor from personnel falling from height. It is very strong and durable, we tend to lean heavy stuff against it, but there is no movement and our factory lads feel safe.

YSS, Managing Director

PROTECTING...

PEOPLE, PROPERTY, PROFITS AND PERFORMANCE

Authorised reseller



Pedestrian Guardrail

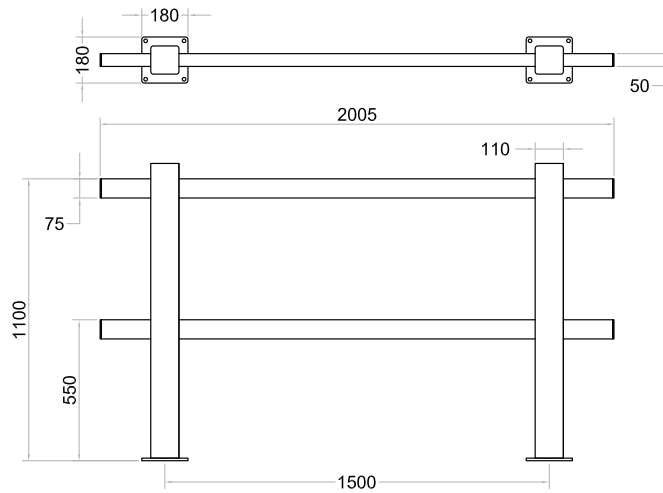


SPECIFICATIONS

Angle of impact		90°
Tested impact energy (Joules)		1900
Equivalent vehicle weight (kg)		2000
Equivalent vehicle speed (km/h)		4.8
Material Properties		
Temperature MEMAPLEX		-15°C to +50°C
Temperature MEMAPLEX		-40°C to +30°C
Chemical Resistance		Excellent - ISO / TR 10358
Fire Rating		HB / F
Food Contact		Yes
Toxicity		None
Conductivity		No
Environment		
CO ₂ /		16.46
Recyclability		100%

Terms and conditions apply

DIMENSIONS



All dimensions in mm

VEHICLE SUITABILITY

 1,500 3.5 mph @ 90°	 2,080 3.0 mph @ 90°	 2,350 2.8 mph @ 90°
 2,650 2.6 mph @ 90°	 3,500 2.3 mph @ 90°	 3,560 2.2 mph @ 90°
 3,570 2.2 mph @ 90°	 3,650 2.2 mph @ 90°	 8,250 1.5 mph @ 90°
 8,730 1.5 mph @ 90°	 10,000 1.3 mph @ 90°	 13,050 1.2 mph @ 90°
 24,000 2.6 mph @ 90°	 36,000 0.7 mph @ 90°	

Note: These are guideline figures. Please refer to full technical information for details.

COMPONENTS



See Pedestrian Guardrail installation video at:

<https://www.youtube.com/watch?v=5ww-N1UNtZl>



Authorised reseller address



Unit 8 Easter Court, Europa Boulevard, Westbrook
Warrington, Cheshire WA5 7ZB
T: 01925 715761 E: info@warehouse-partners.co.uk
W: warehouse-partners.co.uk